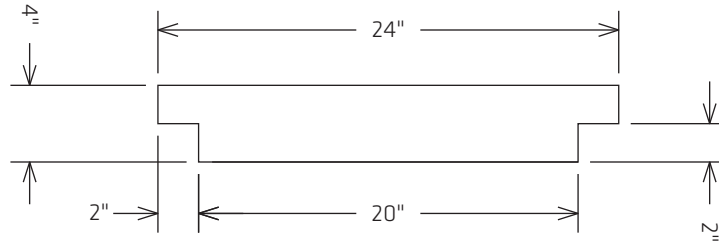
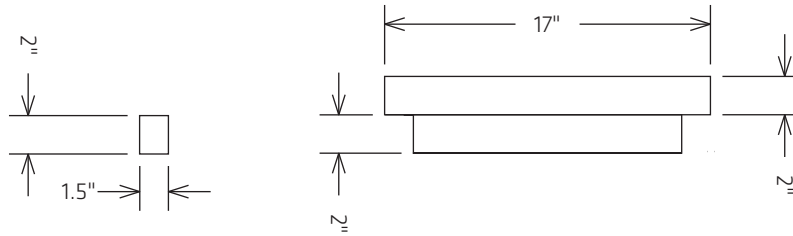


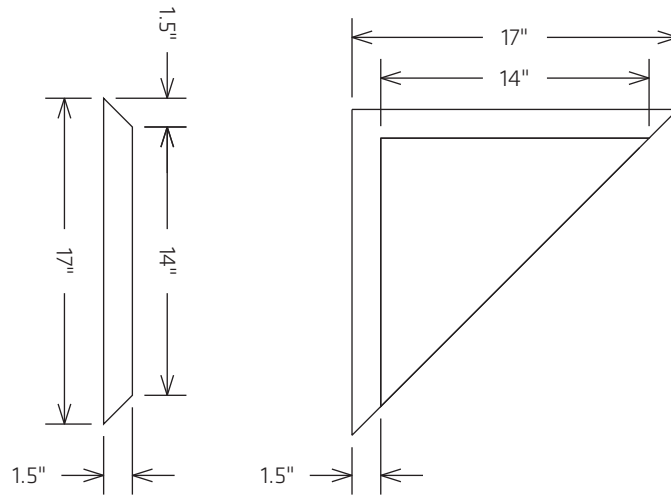
Front View



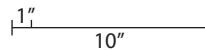
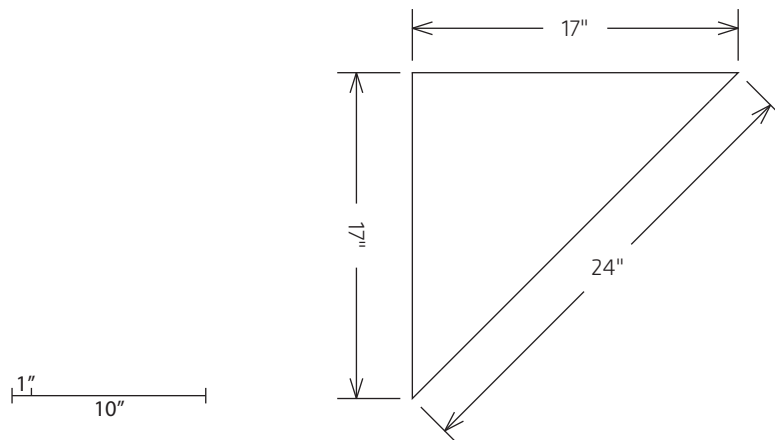
Side View



Bottom View



Top View



HYDRO-BLOK™

The BETTER Shower System

www.hydroblok.com

PO Box 12076 Murrayville RPO
Langley, British Columbia
CANADA V2Y 0M6
Tel: 1-778-278-2730

SKU **HBSB-1717**

Description
SUSPENDED BENCH MEDIUM

Date	January 01, 2015	Revision	2015.1	Scale	1:10	Drawing Number 1 of 1
Drawn by:	CC	Approved by:	KK	Usage	Distribution	

Disclaimer: Dimensional drawings are provided on an "AS IS" basis for planning and estimation only and are subject to change without notice. While reasonable efforts have been taken to ensure the accuracy of all dimensions, HYDROBLOK International Ltd. makes no warranties as to the completeness or accuracy of this document.